



DMX HDMI Player V3

User's Manual

DMX-512 controllable HDMI video player for professional stage & architectural lighting.

- ✓ Select video files by DMX-512
- ✓ Full HDMI v1.4 output, up to 1080p / 30 fps
- ✓ Powered via USB Type-C
- ✓ Dual operating modes: DMX & Auto-play

Model DMX-HDMI V3 • Revision 3.0 • April 26, 2026

www.supercanlight.com

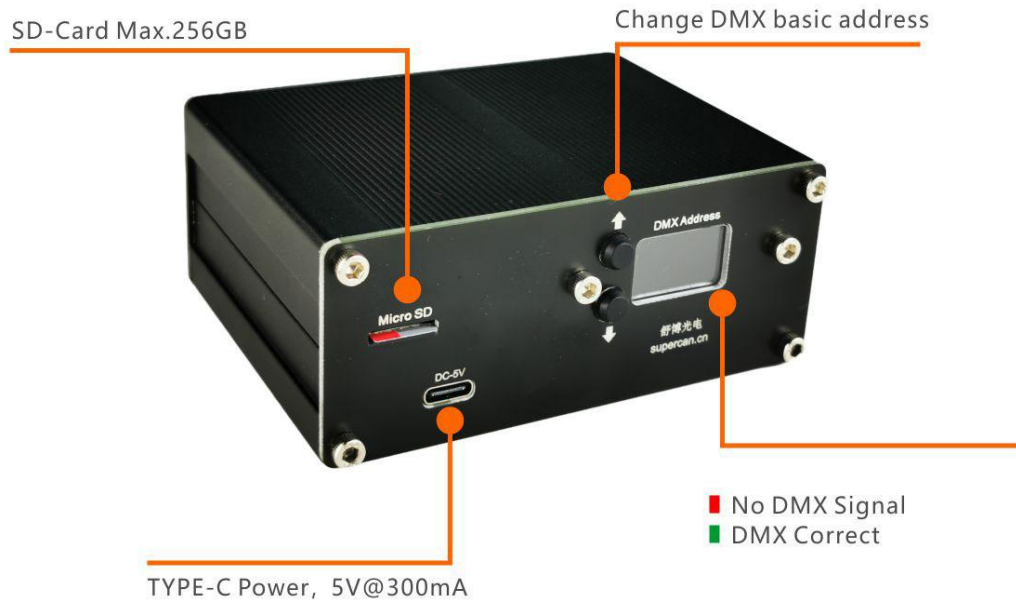
C O N T E N T S

Quick Navigation

01 Product Overview	3
02 Technical Specifications	4
03 Mechanical Drawings	5
04 DMX Channel Assignment	6
05 Operating Modes	7
06 File Storage & Naming	8
07 Supported Video Formats	9
08 About SUPER-CAN	10
09 Product Family	11
10 Customer Support	12

01 Product Overview

The DMX HDMI Player V3 is a compact, professional media player designed for stage, event and architectural installations. It plays video files from a standard microSD card and outputs full HDMI v1.4 signal. Every video file can be triggered remotely through a standard DMX-512 control channel, making it ideal for integrating video backdrops into any lighting show.



KEY HIGHLIGHTS

- ▶ Trigger any of 255 video files via DMX-512
- ▶ 1080p @ 30 fps HDMI v1.4 output
- ▶ UHS-I V30 microSD storage up to 256 GB
- ▶ USB Type-C power, 5 V @ 300 mA
- ▶ Choice of XLR-3 or XLR-5 DMX connector



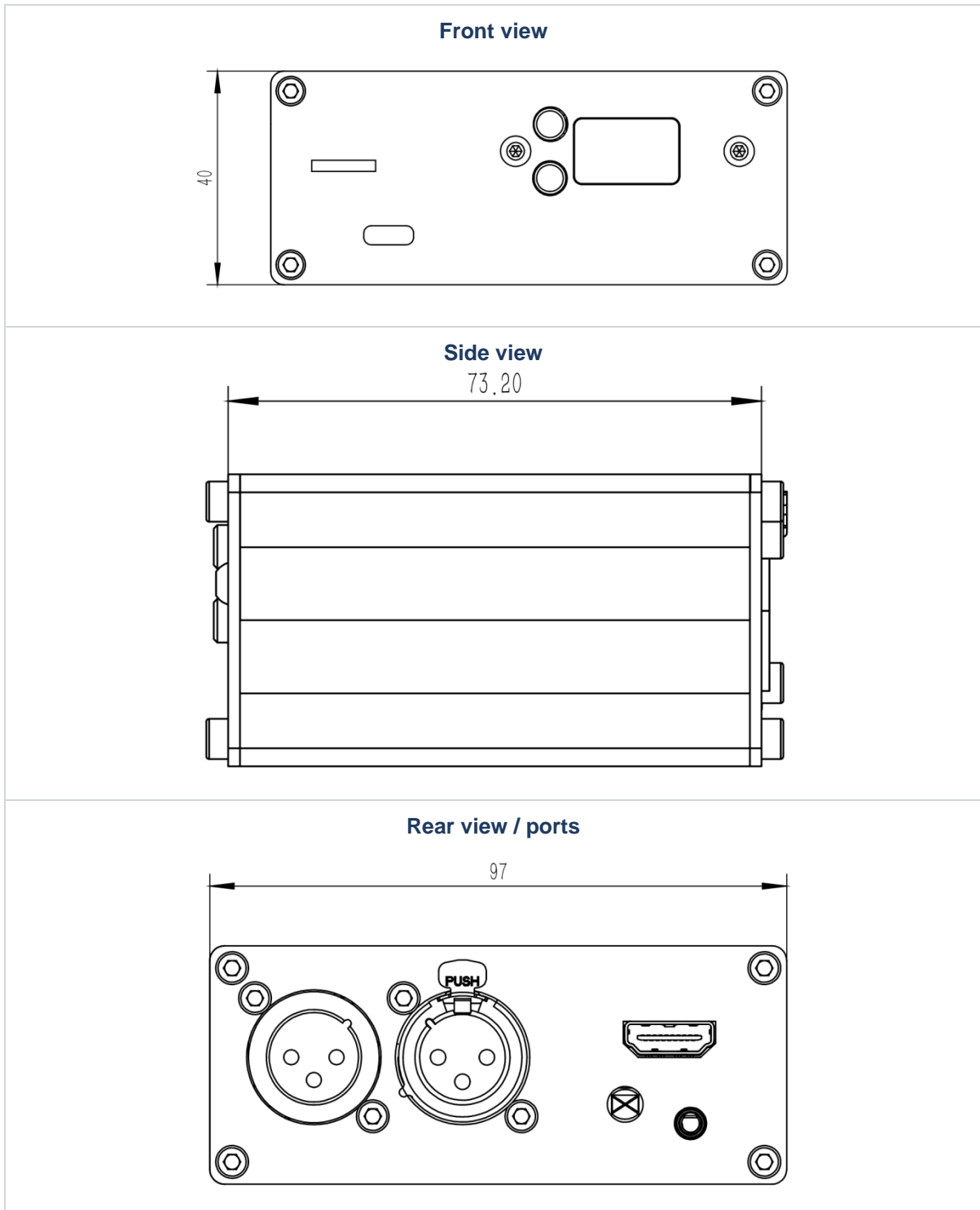
02 Technical Specifications

Specification	Value
Power Supply	5 VDC, 300 mA (USB Type-C)
Media Storage	UHS-I V30 microSD card
Card Class	Class 10 / A1, read speed \geq 120 MB/s
Max. Card Size	256 GB
Video Output	HDMI v1.4 — 1920 × 1080 @ 30 fps
DMX Connector	RJ45 / XLR-3 pin / XLR-5 pin (optional)
Audio Output	3.5 mm TRS
Device Dimensions	97 × 73.2 × 40 mm
Package Dimensions	230 × 160 × 50 mm

Recommended microSD Cards — SanDisk Extreme PRO microSDXC and Samsung PRO Plus microSDXC have been tested and verified. Other V30 cards may work but are not guaranteed.

03 Mechanical Drawings

Dimensioned views of the XLR version. Dimensions are in millimetres unless noted otherwise.



04DMX Channel Assignment

The player occupies two DMX-512 channels. Channel 1 selects the video to play; channel 2 controls the end-of-file behavior.

Channel	DMX Value	Function
CH 1	0	Blackout — stop video output
	1 – 255	Select video file number (1–255)
CH 2	0 – 127	Blackout when current file finishes playing
	128 – 255	Repeat current file continuously

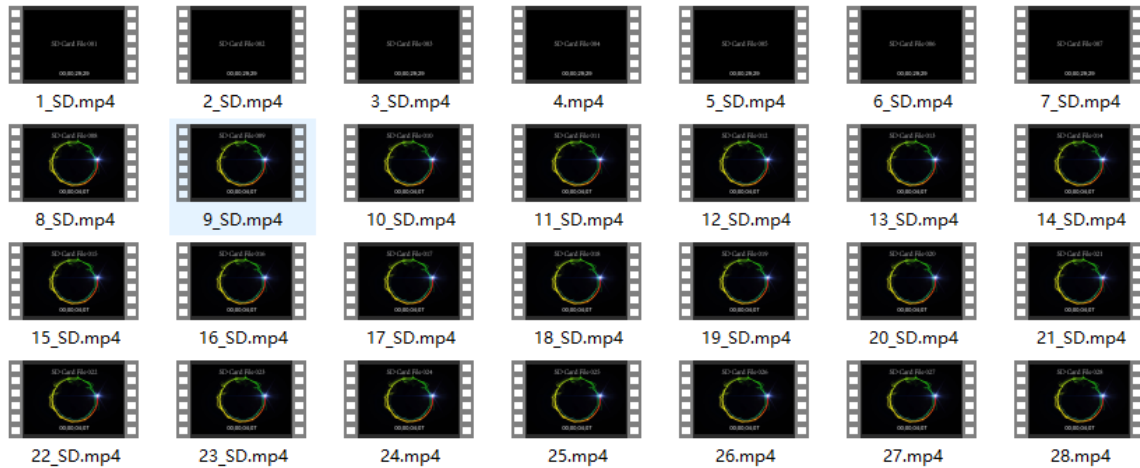
05 Operating Modes

The Up and Down buttons on the front panel set the DMX address and select the operating mode at power-on.

- Press Up or Down to change the DMX start address. Release the button for 2 seconds — the new address is saved and takes effect.
- Hold Up while powering on the device to start in DMX-512 Mode.
- Hold Down while powering on the device to start in Auto-play Mode.
- In Auto-play Mode, press Up or Down to step through video files. The selected file loops until you change the selection.

06 File Storage & Naming

1. Copy your video files to the microSD card (maximum 256 GB).
2. Name each file **N_name.mp4**, where **N** is the DMX file number (1–255) and the remaining text is a descriptive label. Example: 1_intro.mp4, 2_logo-loop.mp4.
3. In DMX mode, the player matches the DMX channel-1 value to the leading number of the file.



07 Supported Video Formats

For best results, export videos as MP4 with H.264 video and AAC audio at 30 fps. All resolutions are progressive.

Container	Resolution	Video Codec
MP4	1920 × 1080	H.264 / MPEG-4
MP4	1280 × 720	H.264 / MPEG-4
MP4	720 × 480	H.264 / MPEG-4
MP4	640 × 480	H.264 / MPEG-4

08 About SUPER-CAN

SUPER-CAN Industry Growing Co., Ltd. is a manufacturer of laser and LED lighting based in Foshan, China. Our in-house R&D team covers mechanical design, electronics and firmware — allowing us to build original products that cannot simply be copied.

Alongside our signature laser projectors (produced for more than 10 years), LED lighting fixtures and controller systems have become core product lines. We look forward to working with you as a reliable partner in China.

09 Product Family

Explore the rest of the SUPER-CAN catalogue — purpose-built fixtures and systems for demanding live, theatrical and architectural applications.



Stage Laser



DMX HDMI Player 2K



LED UV Bar



RGBW LED Bar



Dante → AES Audio Interface



**Fiber Transmission System — Video /
Audio / Lighting**

10 Customer Support

For technical assistance, order inquiries or distributor opportunities, please contact us using any of the channels below.

CONTACT US

SUPER-CAN Industry Growing Co., Ltd.

Address 5F, LiKouDongXing RD., Lishui Town, 528244, Foshan, PRC

Website www.supercanlight.com

WhatsApp Scan the QR code to chat with our sales team.

Need help? Our engineering team is happy to advise on DMX integration, cue programming and media-preparation workflows.

SCAN TO CHAT



WhatsApp

Instant reply during office hours (UTC+8)

Thank you for choosing SUPER-CAN.